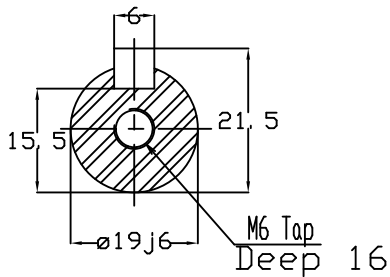
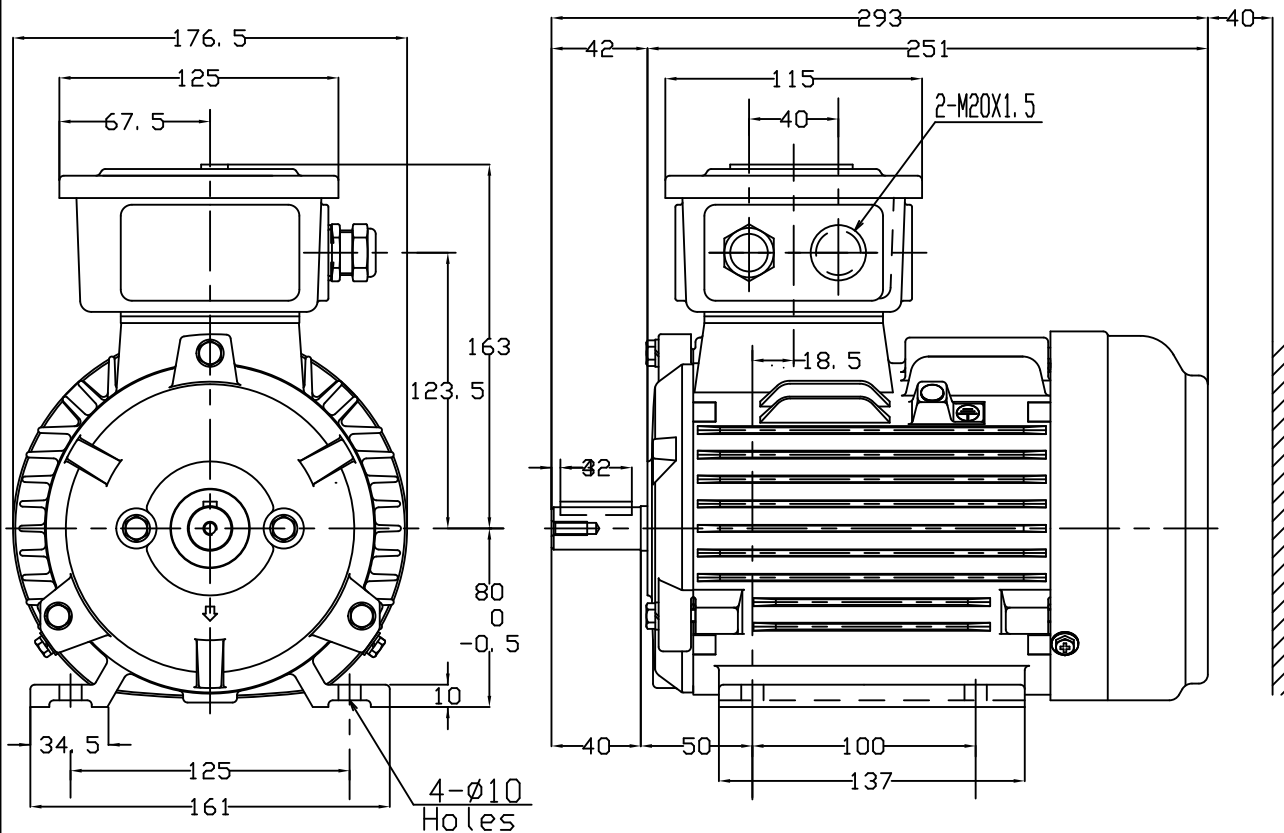


DATE	11/10/15	OUTLINE DIMENSIONS 3-PHASE INDUCTION MOTOR	MOTOR TYPE: AESV3W
CATALOG#	MP0012		FRAME NO.

Pole	HP	kW	Hz	VOLT	r/min
2	1	.74	60	230/460	3600

Ins	Rating	Dimension in	Approx Weight	Bearings	
F	CONT.	mm	18.0 KG.	DE: 6204ZZ	NDE: 6204ZZ

Totally Enclosed Fan-Cooled Type. Squirrel-Cage Rotor.



- Note:
1. IP55
 2. F CLASS, B RISE

◇			
---	--	--	--

DWN.	譚道勇	09-11-12	TEC Westinghouse	DWG NO.	32049A008040
CHKD.	時墩慶	09-13-12		WUXI	
APPD.	嚴和欽	09-13-12			